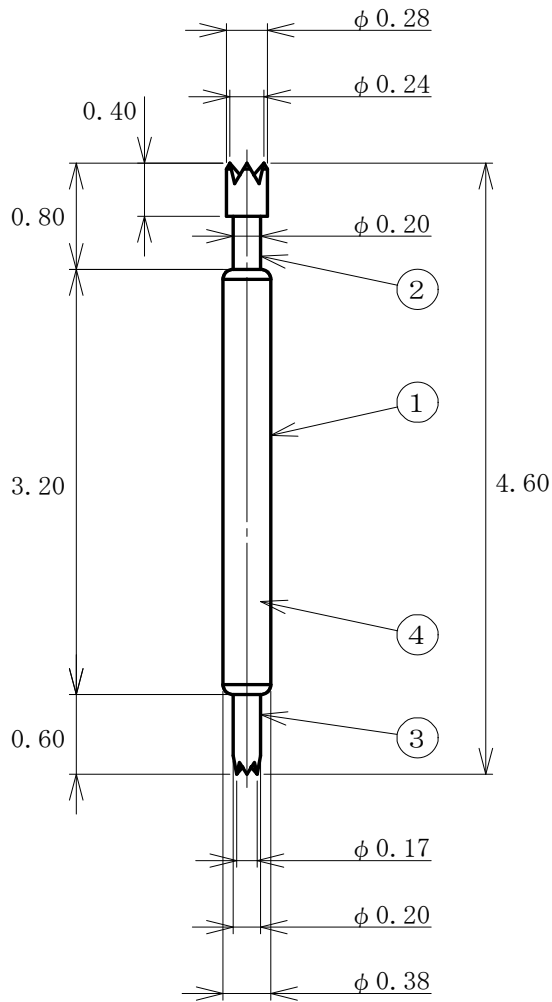


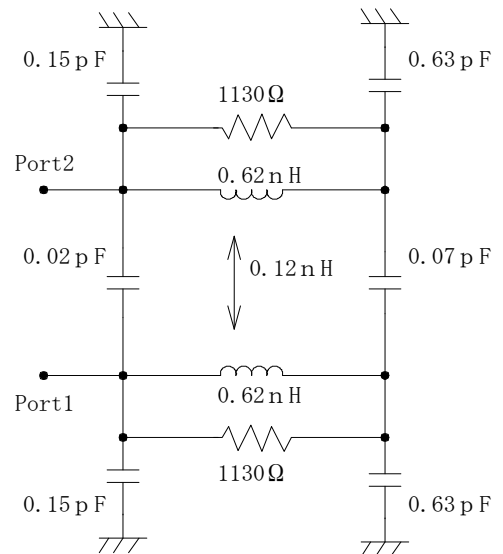
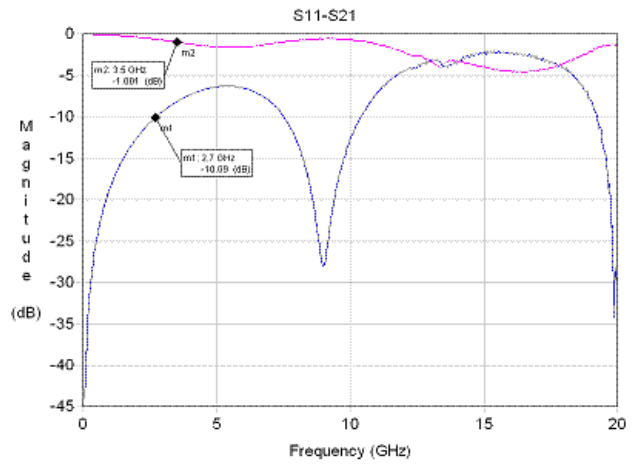
Test Probe
P/N MX-D050-460WWS-01



Dimension : mm

Electrical

Bandwidth : 3.5GHz (-1.001dB)
 Self Inductance : 0.57nH
 Capacitance : 1.25pF
 DC Resistance : Less than 100mΩ
 Current Capacity : 1.7A



Material & Plateing

No.	Name	Material	Plating
1	Barrel	Phosphor Bronze	Gold over Ni
2	Top Plunger	Steel	Gold over Ni
3	Bottom plunger	BeCu	Gold over Ni
4	Spring	Piano Wire	Gold over Ni

Mechanical

Operation Stroke : 0.6mm
 Spring Force
 Initial : (11gf)
 Operation Stroke : 35 ± 7gf
 Full Stroke : 0.8mm
 Spring Life : 300,000times
 (Operation Stroke)
 Operating Temperature : -25~+120°C