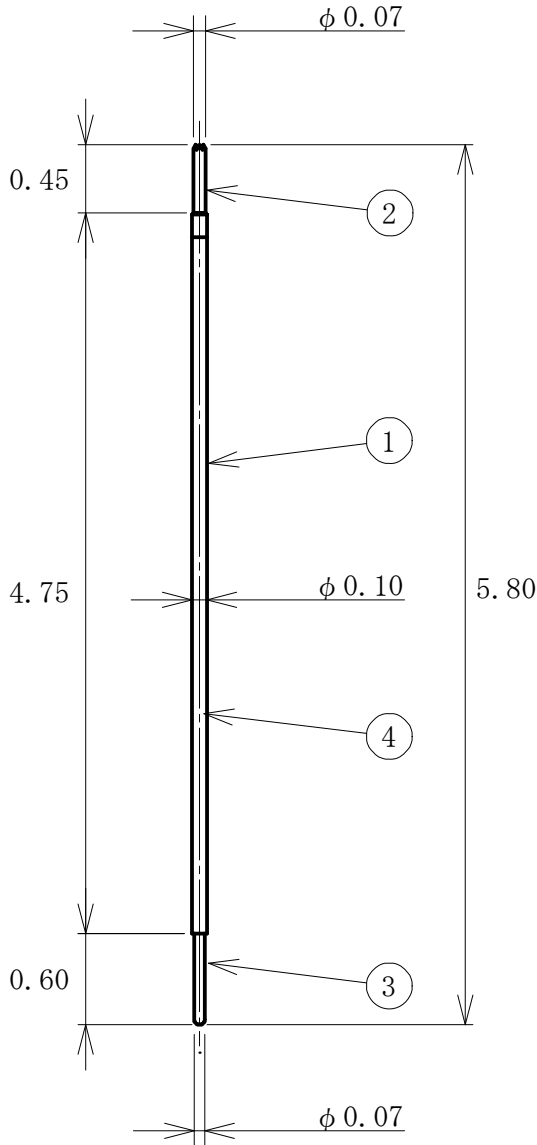


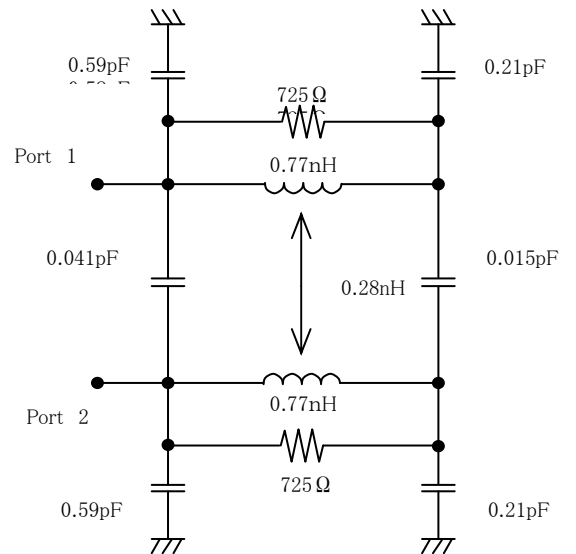
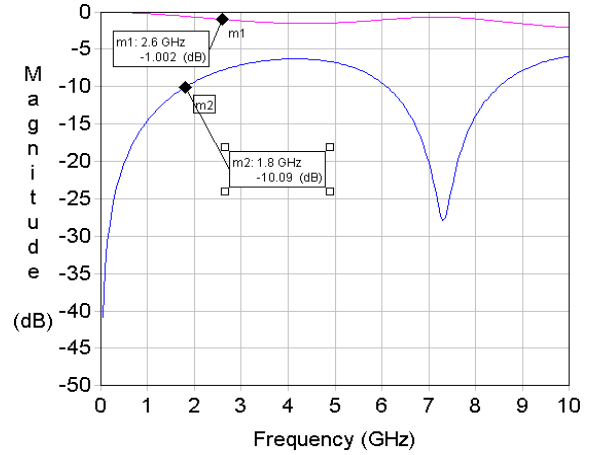
Test Probe
P/N MX-S015-580WRS-01



Dimension : mm

Electrical

Bandwidth : 2.6GHz (-1.002dB)
 Self Inductance : 1.39nH
 Capacitance : 0.89pF
 DC Resistance : Less than 500mΩ
 Current Capacity : 0.1A



Material & Plateing

No.	Name	Material	Plating
1	Barrel	Ni	Gold (Inside)
2	Top Plunger	Pd Alloy	
3	Bottom plunger	Pd Alloy	
4	Spring	Piano Wire	Gold over Ni

Mechanical

Operation Stroke : 0.4mm
 Spring Force
 Initial : (2.5gf)
 Operation Stroke : 3.5 +5/-2gf
 Full Stroke : 0.6mm
 Spring Life : 300,000times
 (Operation Stroke)
 Operating Temperature : -25~+120°C