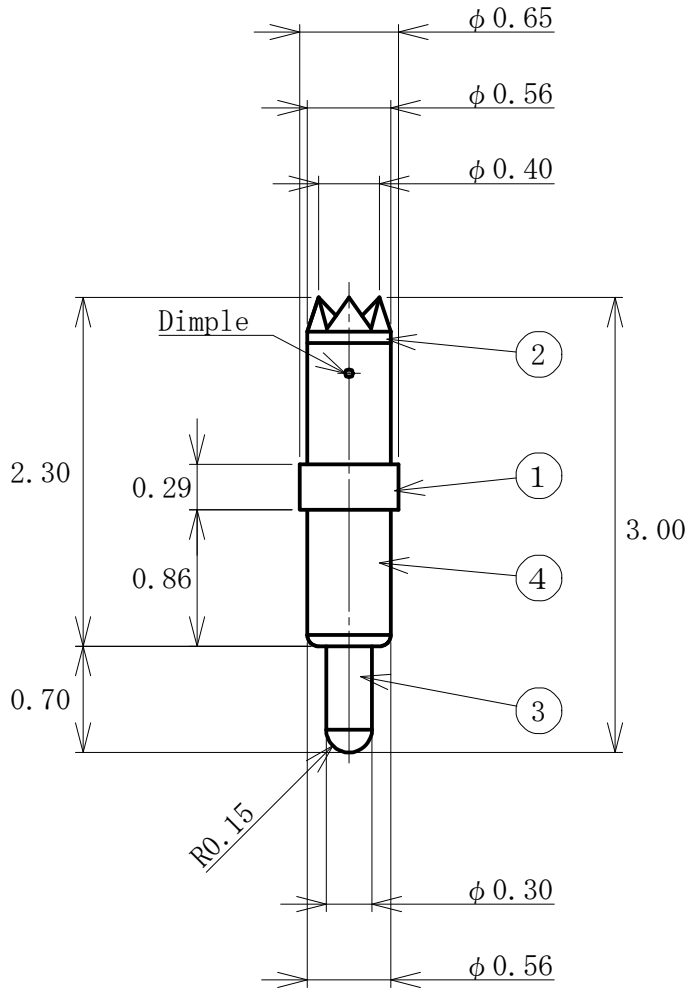


Test Probe
P/N MX-S080-300WRF-01



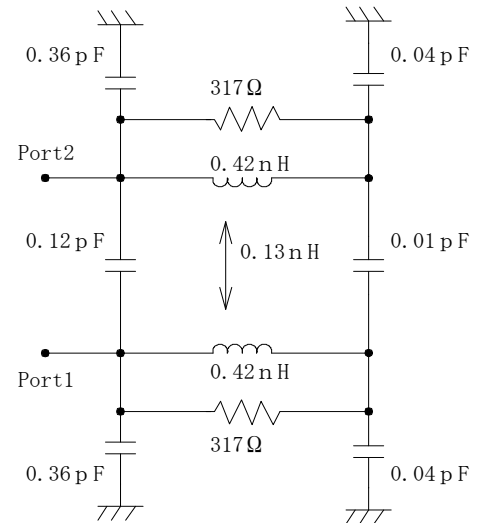
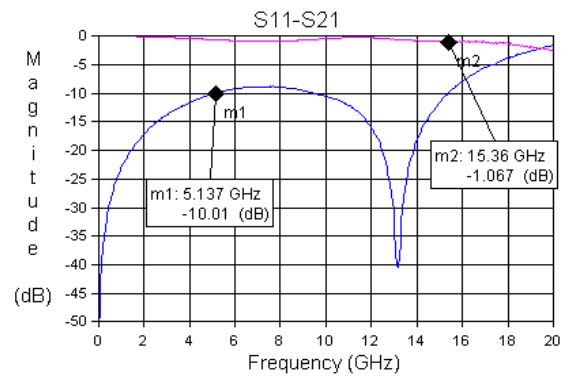
Dimension : mm

Material & Plateing

No.	Name	Material	Plating
1	Barrel	Phosphor Bronze	Gold over Ni
2	Top Plunger	BeCu	Gold over Ni
3	Bottom plunger	BeCu	Gold over Ni
4	Spring	Piano Wire	Gold over Ni

Electrical

Bandwidth : 15.36GHz (-1.067dB)
 Self Inductance : 0.34nH
 Capacitance : 0.72pF
 DC Resistance : Less than 75mΩ
 Current Capacity : 3.0A



Mechanical

Operation Stroke : 0.5mm
 Spring Force
 Initial : (5gf)
 Operation Stroke : 31 ± 6gf
 Full Stroke : 0.7mm
 Spring Life : 300,000times
 (Operation Stroke)
 Operating Temperature : -25~+120°C